



AVM-PT-TMT-T25

CE | FC

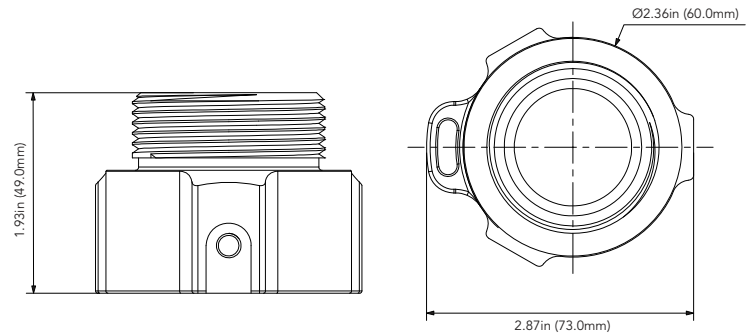
Mount Adapter

OVERVIEW

- Mount adapter
- Made from aluminum for versatility

DIMENSIONS

Unit : inch(mm)



SPECIFICATIONS

GENERAL	
Material	Aluminum
Dimension	Φ2.36 x 2.87 x 1.93in (Φ60.0 x 73.0 x 49.0mm)
Pipe Thread	G1 1/2"
Load Bearing	15.43lb (7.0kg)
Weight	0.55lb (0.25kg)
Color	White
Operating Temperature	-40°F~+140°F (-40°C~60°C)
Humidity	<90% RH
Applicable Model	AVC-NCMS321M04 AVC-NSZ51X25LW AVC-NSZ51X33LW AVC-NSZ81X25LW AVC-NSZ21X25LW